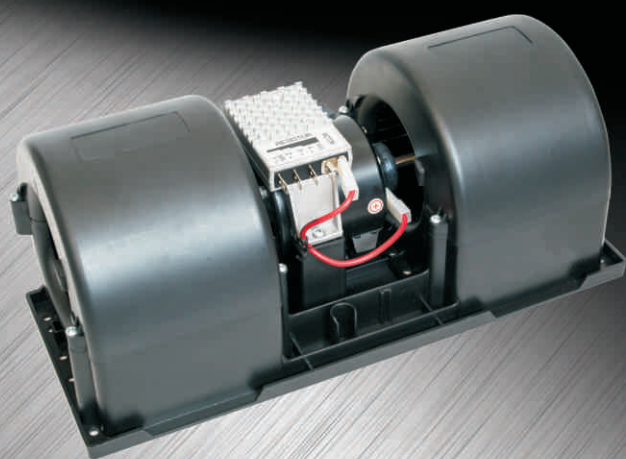




WEILI
AUTO PARTS

伟力汽车零部件
WEILI AUTO PARTS





COMPANY PROFILE

公司简介

长沙市伟力汽车零部件有限公司成立于2007年，前身为长沙市伟力汽车电器有限责任公司，是一家集科研、生产、贸易于一体的私营科技型企业，也是湖南省唯一一家生产、销售汽车空调风扇的厂家。公司位于长株潭核心三角地带，人流、物流、四通八达，交通极为方便。

公司专业生产销售汽车大巴空调匹配的各类蒸发风机和冷凝风机、工程车空调鼓风机、汽车散热器、除霜器、加热器水泵、冷冻冷藏车风机及发动机散热风机等系列产品。公司产品已与国内众多知名品牌的客车、工程车、微型车进行一、二次配套，并已出口美国、意大利、韩国、俄罗斯、非洲、中东等多个国家和地区。

公司云集了全国各类专业人才，拥有成套先进生产制造、检测设备，拥有发明、实用新型专利等10几项，并已通过ISO9001和TS16949质量体系认证。本着“信心源于品质，品质改变世界”的理念，公司将始终不渝的以满足不同用户的需求，作为企业永恒的奋斗目标。本公司愿与国内外同仁双赢共利、真诚合作，为中国汽车电器制造业的辉煌作出贡献。

伟力！伟力！创车用空调和谐之力！

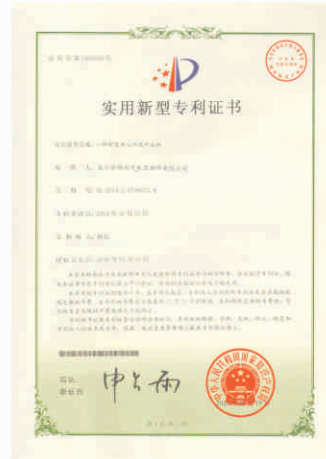
Changsha Weili Auto Parts Appliance Co., Ltd, established in 2007, formerly Changsha Weili Auto Electric Co., Ltd., is a private-owned S&T enterprise that incorporates scientific research, production and trade into an organic entity. And it is the only manufacturer in Hunan Province that produces and sells automotive air conditioner fans and blowers. Located in triangle zone of Changsha, Zhuzhou and Xiangtan, traffic is very convenient with people and logistics extending in all directions.

Our company specializes in the production and sales of evaporator blowers and condenser fans for bus and engineering truck air conditioners, automotive radiators, defrosters, heater water pumps, refrigerated vehicle fans, engine cooling fans and so on. Our products have been matching with many domestic well-known buses, engineering trucks and mini vans, and our products have been exported to many countries including United States, United Kingdom, Australia, Russia, Africa, the Middle East, and so on.

Our company gathers different kinds of professionals, houses complete sets of advanced developing, manufacturing and testing equipment, gets a dozen patents for utility and invention, and passes ISO9001 and TS16949 quality system certification. In the concept of confidence coming from quality and quality changing the world, our company will always take it as a eternal goal that meet the requirements of different customers. We are willing to cooperate with friends at home and abroad, realize 'win - win and mutual benefit, and contribute to the bright future of Chinese automotive electronic manufacturing
Weili! Weili! Create harmonious power for automotive air conditioner.

企业证书

Certificate



实验设备

Laboratory equipment



盐雾腐蚀试验箱



温度/湿热/振动三综合试验箱2.5T



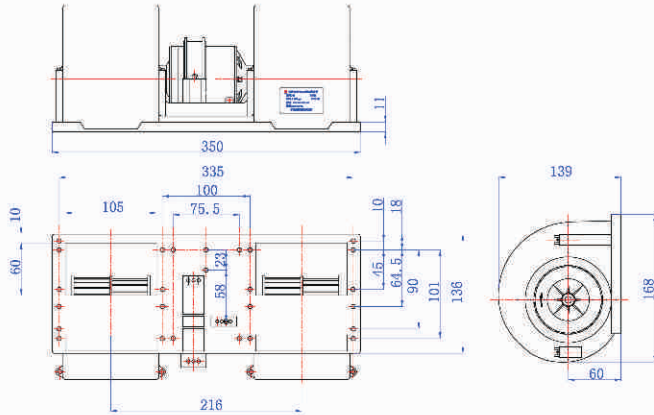
箱式摆管淋雨试验箱



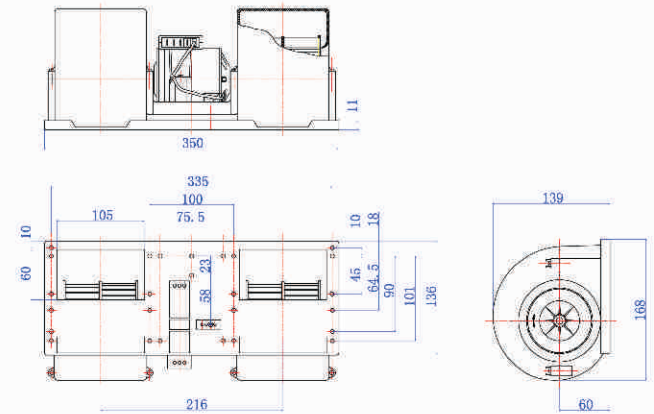
组合开关耐久性能试验台



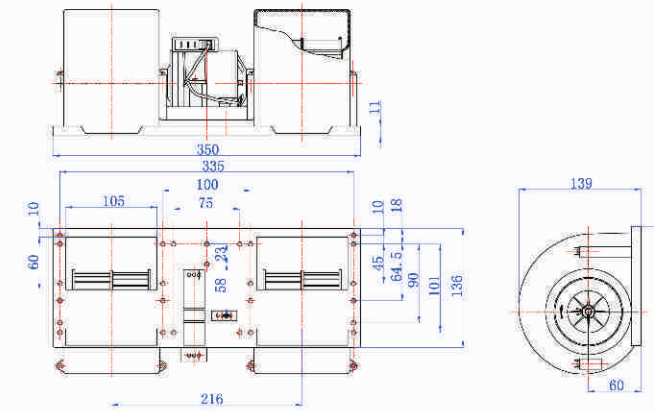
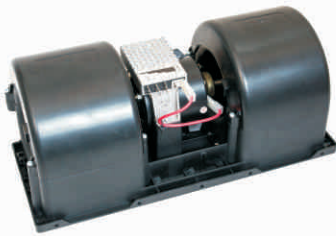
蒸发风机 Evaporator Blower



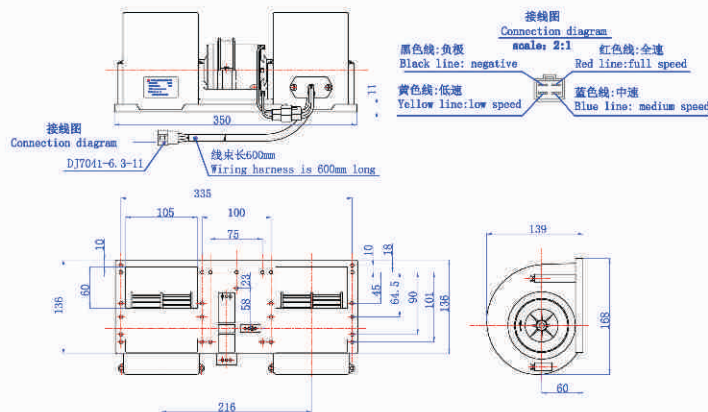
ZHF2101
 试验电压:27V/13.5V
 Test voltage:27V/13.5V
 电流≤12.5A/27.0A
 Current≤12.5A/27.0A
 转速:3900±200rpm
 Speed:3900±200rpm
 静压:100Pa
 Static pressure:100Pa
 风量≥1000m³/h
 Air volume≥1000m³/h



ZHF2101Z
 试验电压:27V/13.5V
 Test voltage:27V/13.5V
 电流≤12.5A/27.0A
 Current≤12.5A/27.0A
 转速≥3900±200rpm
 Speed≥3900±200rpm
 静压:100Pa
 Static pressure:100Pa
 风量≥1000m³/h
 Air volume≥1000m³/h



ZHF2101SZZ
 试验电压:27V/13.5V
 Test voltage:27V/13.5V
 电流≤12.5A/27.0A
 Current≤12.5A/27.0A
 转速:3900±200rpm
 Speed:3900±200rpm
 静压:100Pa
 Static pressure:100Pa
 风量≥1000m³/h
 Air volume≥1000m³/h

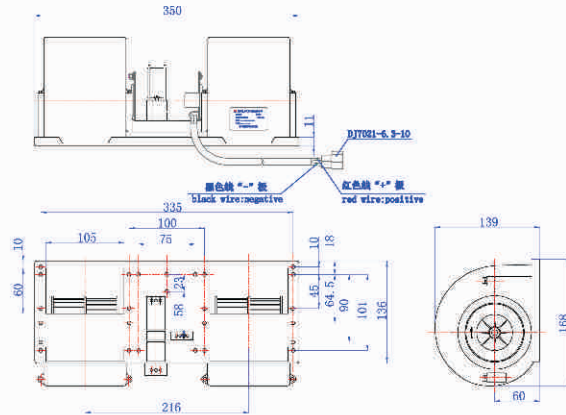


ZHF2101TS
 试验电压:27V/13.5V
 Test voltage:27V/13.5V
 电流≤12.5A/27.0A
 Current≤12.5A/27.0A
 转速:3900±200rpm
 Speed:3900±200rpm
 静压:100Pa
 Static pressure:100Pa
 风量≥1000m³/h
 Air volume≥1000m³/h

本图册中所列产品图片、外观及技术参数均以实物为准

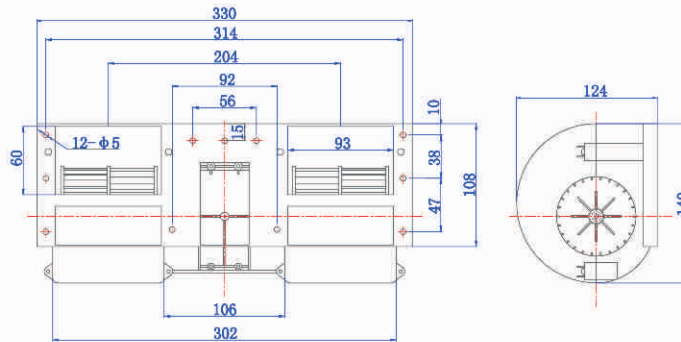


蒸发风机 Evaporator Blower



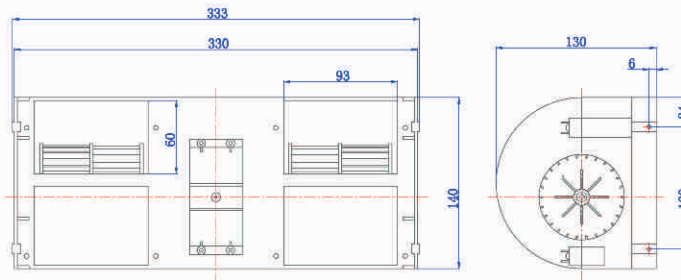
ZHF283

试验电压:27V/13.5V
Test voltage:27V/13.5V
电流 \leq 11.5A/22.0A
Current \leq 11.5A/22.0A
转速 \geq 3800 \pm 200rpm
Speed \geq 3800 \pm 200rpm
静压: 100Pa
Static pressure: 100Pa
风量 \geq 1000m³/h
Air volume \geq 1000m³/h



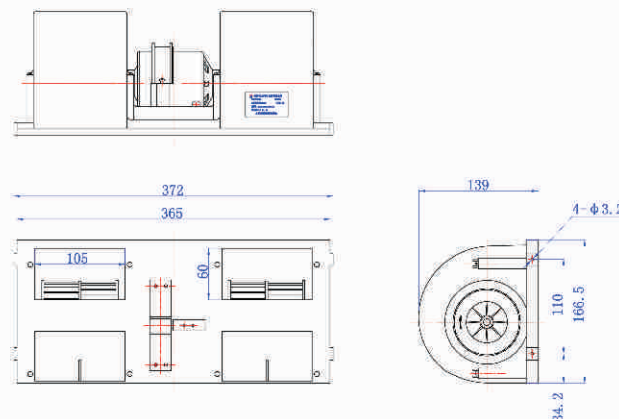
ZHF271

试验电压:27V/13.5V
Test voltage:27V/13.5V
电流 \leq 8.0A/16.0A
Current \leq 8.0A/16.0A
转速:3600 \pm 200rpm
Speed:3600 \pm 200rpm
静压: 100Pa
Static pressure: 100Pa
风量 \geq 750m³/h
Air volume \geq 750m³/h



ZHF271K

试验电压:27V/13.5V
Test voltage:27V/13.5V
电流 \leq 8.0A/16.0A
Current \leq 8.0A/16.0A
转速:3600 \pm 200rpm
Speed:3600 \pm 200rpm
静压: 100Pa
Static pressure: 100Pa
风量 \geq 750m³/h
Air volume \geq 750m³/h



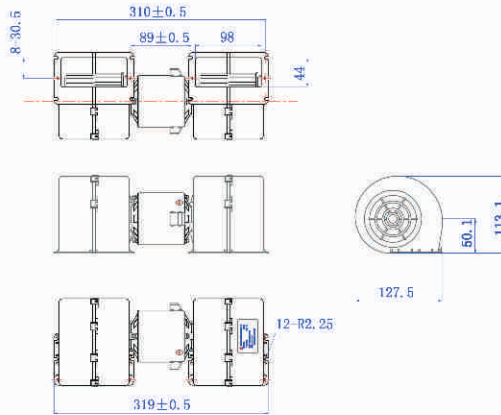
ZHF2101K

试验电压:27V/13.5V
Test voltage:27V/13.5V
电流 \leq 12.5A/26.0A
Current \leq 12.5A/26.0A
转速:3900 \pm 200rpm
Speed:3900 \pm 200rpm
静压: 100Pa
Static pressure: 100Pa
风量 \geq 1800m³/h
Air volume \geq 1800m³/h

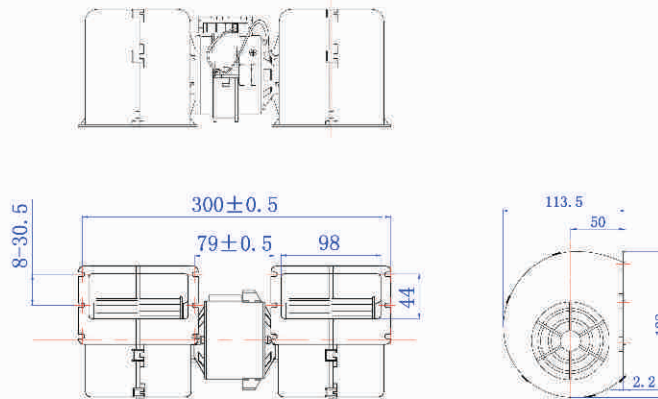
本图册中所列产品图片、外观及技术参数均以实物为准



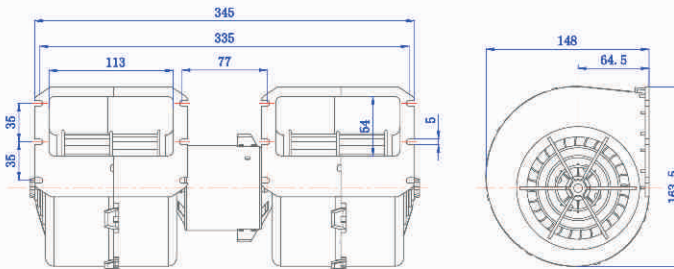
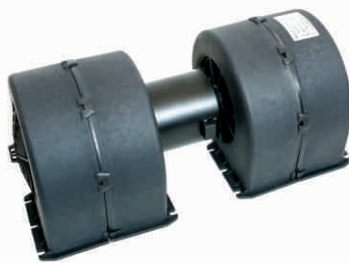
蒸发风机 Evaporator Blower



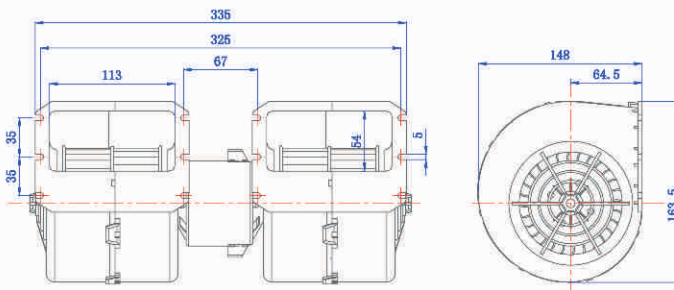
ZHF2601L
试验电压:27V/13.5V
Test voltage:27V/13.5V
电流≤10.0A/18.0A
Current≤10.0A/18.0A
转速:4600±200rpm
Speed:4600±200rpm
静压:100Pa
Static pressure:100Pa
风量≥650m³/h
Air volume≥650m³/h



ZHF2601Z
试验电压:27V/13.5V
Test voltage:27V/13.5V
电流≤10.0A/16.0A
Current≤10.0A/16.0A
转速:4600±200rpm
Speed:4600±200rpm
静压:100Pa
Static pressure:100Pa
风量≥650m³/h
Air volume≥650m³/h



ZHF2827A
试验电压:27V
Test voltage:27V
电流≤13.0A
Current≤13.0A
转速:4100±200rpm
Speed:4100±200rpm
静压:100Pa
Static pressure:100Pa
风量≥1100m³/h
Air volume≥1100m³/h

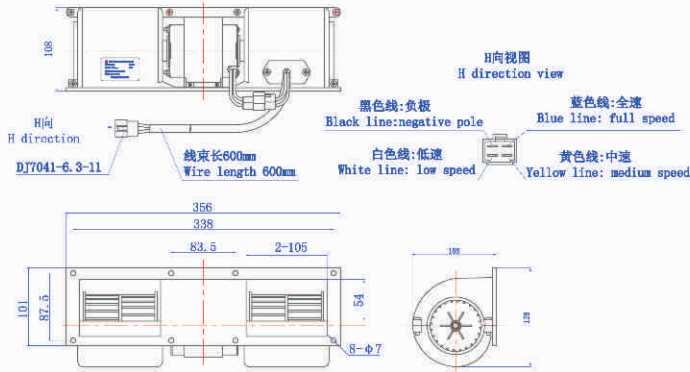


ZHF2827B
试验电压:27V
Test voltage:27V
电流≤12.5A
Current≤12.5A
转速:3900±200rpm
Speed:3900±200rpm
静压:100Pa
Static pressure:100Pa
风量≥1100m³/h
Air volume≥1100m³/h

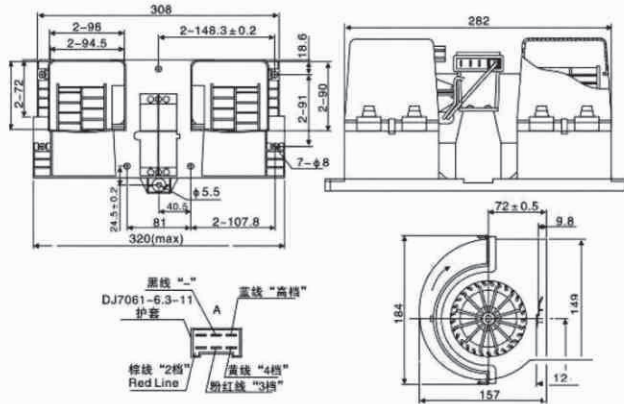
本图册中所列产品图片、外观及技术参数均以实物为准



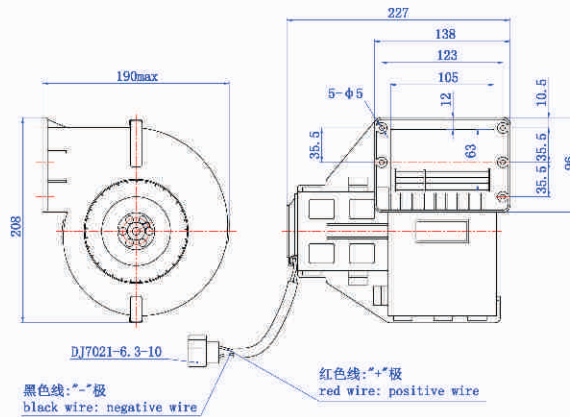
蒸发风机 Evaporator Blower



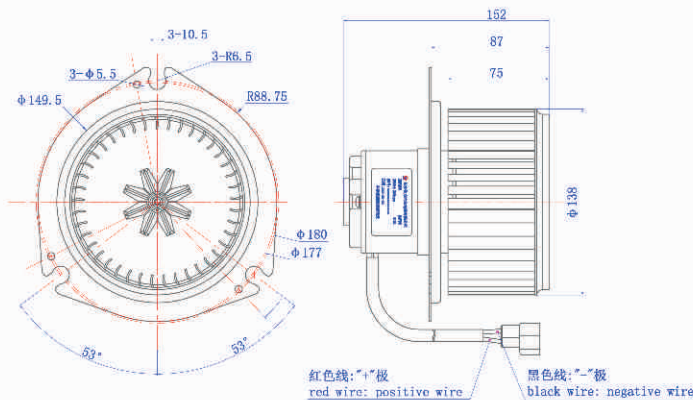
ZHF2602DZ
试验电压:27V/13.5V
Test voltage:27V/13.5V
电流≤6.0A/14.0A
Current≤6.0A/14.0A
转速:3700±200rpm
Speed:3700±200rpm
静压:100Pa
Static pressure:100Pa
风量≥800m³/h
Air volume≥800m³/h



ZHF2317
试验电压:27V/13.5V
Test voltage:27V/13.5V
电流≤6.0A/14.0A
Current≤6.0A/14.0A
转速:3600±200rpm
Speed:3600±200rpm
静压:100Pa
Static pressure:100Pa
风量≥800m³/h
Air volume≥800m³/h



ZHF245
试验电压:27V/13.5V
Test voltage:27V/13.5V
电流≤7.0A/18.0A
Current≤7.0A/18.0A
转速≥2500±200rpm
Speed≥2500±200rpm
静压:100Pa
Static pressure:100Pa
风量≥700m³/h
Air volume≥700m³/h

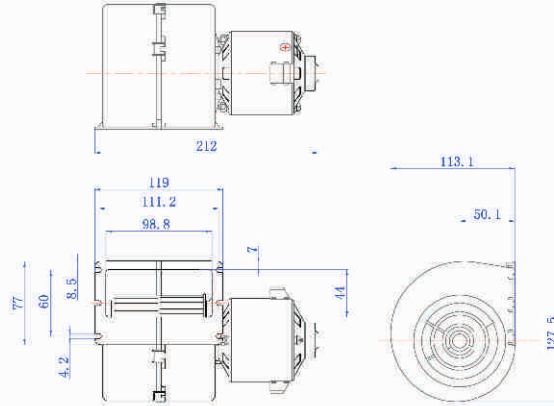


ZHF296
试验电压:27V/13.5V
Test voltage:27V/13.5V
电流≤5.0A/12.0A
Current≤5.0A/12.0A
转速:2800±200rpm
Speed:2800±200rpm
静压:100Pa
Static pressure:100Pa
风量≥1500m³/h
Air volume≥1500m³/h

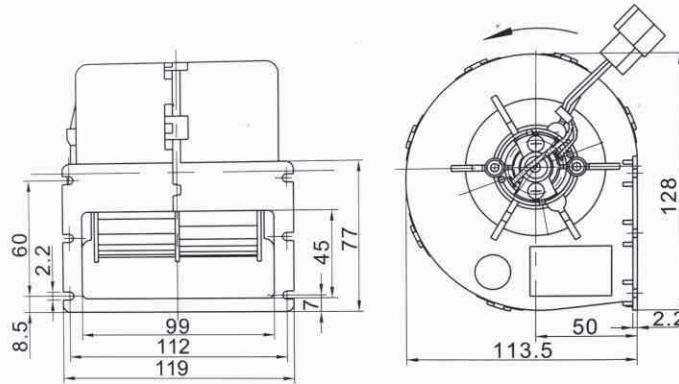
本图册中所列产品图片、外观及技术参数均以实物为准



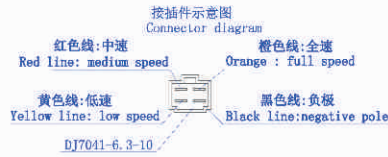
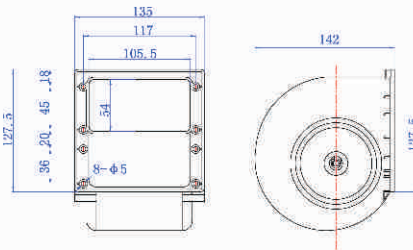
蒸发风机 Evaporator Blower



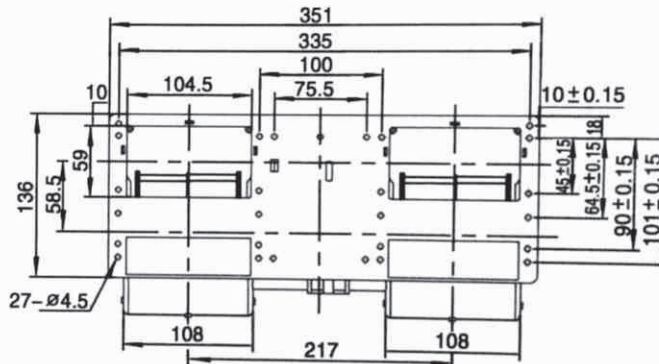
ZHF2603
 试验电压:27V/13.5V
 Test voltage:27V/13.5V
 电流 \leq 3.0A/8.0A
 Current \leq 3.0A/8.0A
 转速:3450 \pm 200rpm
 Speed:3450 \pm 200rpm
 静压: 100Pa
 Static pressure: 100Pa
 风量 \geq 450m³/h
 Air volume \geq 450m³/h



ZHF2102
 试验电压:27V/13.5V
 Test voltage:27V/13.5V
 静压: 100Pa
 Static pressure: 100Pa
 风量 \geq 240m³/h
 Air volume \geq 240m³/h
 电流 \leq 3.0A/6.0A
 Current \leq 3.0A/6.0A



ZHF2103Z
 试验电压:27V/13.5V
 Test voltage:27V/13.5V
 电流 \leq 10.0A/22.0A
 Current \leq 10.0A/22.0A
 转速:3700 \pm 200rpm
 Speed:3700 \pm 200rpm
 静压: 100Pa
 Static pressure: 100Pa
 风量 \geq 400m³/h
 Air volume \geq 400m³/h

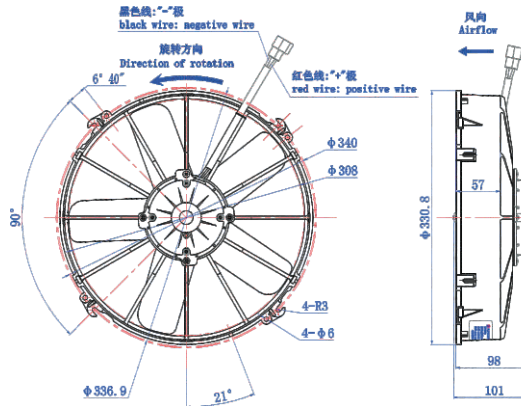


ZHF2101W
 试验电压:26V
 Test voltage:26V
 静压: 100Pa
 Static pressure: 100Pa
 风量 \geq 1000/h
 Air volume \geq 1000/h
 电流 \leq 12.5A
 Current \leq 12.5A

本图册中所列产品图片、外观及技术参数均以实物为准

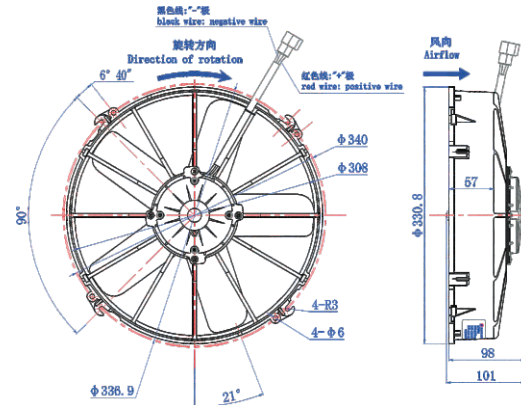


冷凝风机 Condenser fan



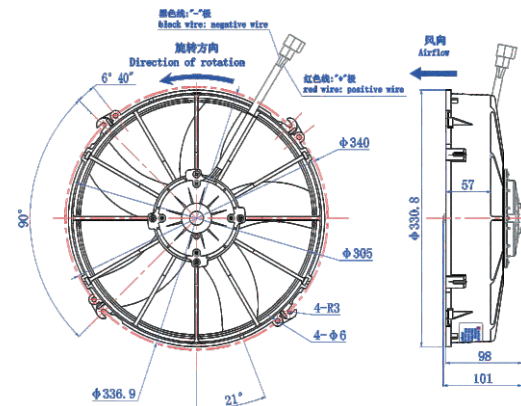
LNF2201

试验电压:27V/13.5V
Test voltage:27V/13.5V
电流≤7.5A/14.5A
Current≤7.5A/14.5A
转速:3000±200rpm
Speed:3000±200rpm
静压:100Pa
Static pressure:100Pa
风量≥2000m³/h
Air volume≥2000m³/h



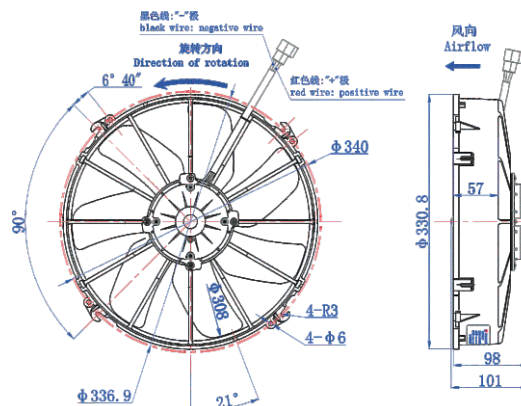
LNF2201X

试验电压:27V/13.5V
Test voltage:27V/13.5V
电流≤7.5A/14.5A
Current≤7.5A/14.5A
转速:3000±200rpm
Speed:3000±200rpm
静压:100Pa
Static pressure:100Pa
风量≥2000m³/h
Air volume≥2000m³/h



LNF2201Q5

试验电压:27V/13.5V
Test voltage:27V/13.5V
电流≤8.5A/15.5A
Current≤8.5A/15.5A
转速:2800±200rpm
Speed:2800±200rpm
静压:100Pa
Static pressure:100Pa
风量≥2000m³/h
Air volume≥2000m³/h



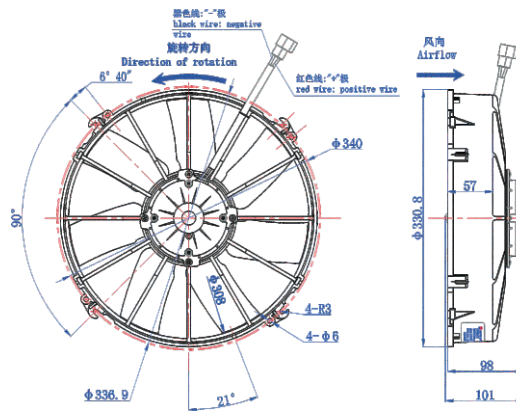
LNF22017

试验电压:27V/13.5V
Test voltage:27V/13.5V
电流≤7.5A/14.5A
Current≤7.5A/14.5A
转速:2900±200rpm
Speed:2900±200rpm
静压:100Pa
Static pressure:100Pa
风量≥2000m³/h
Air volume≥2000m³/h

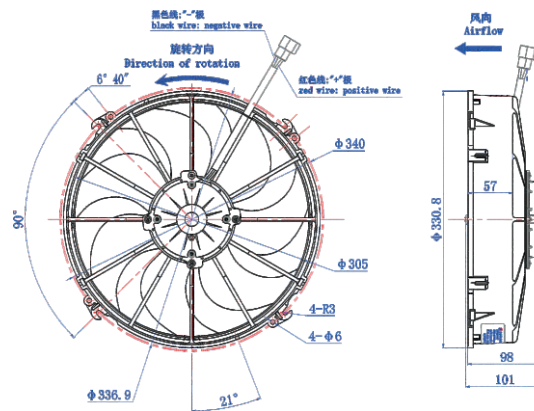
本图册中所列产品图片、外观及技术参数均以实物为准



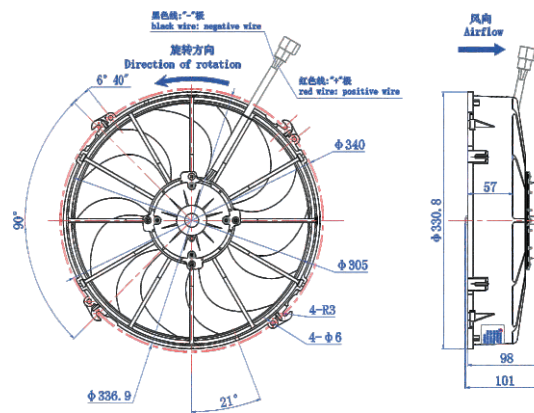
冷凝风机 Condenser fan



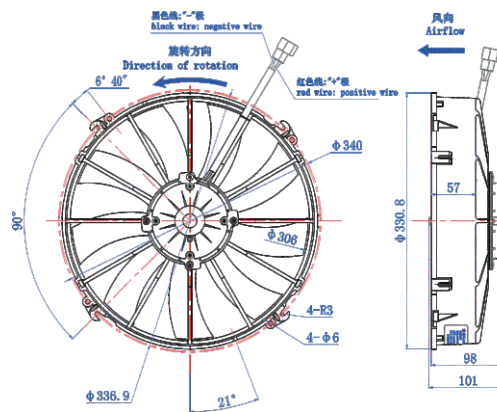
LNF2201X7
试验电压:27V/13.5V
Test voltage:27V/13.5V
电流 \leq 8.0A/15.0A
Current \leq 8.0A/15.0A
转速:2900 \pm 200rpm
Speed:2900 \pm 200rpm
静压: 100Pa
Static pressure: 100Pa
风量 \geq 2000m³/h
Air volume \geq 2000m³/h



LNF2201Q7
试验电压:27V/13.5V
Test voltage:27V/13.5V
电流 \leq 7.0A/15.0A
Current \leq 7.0A/15.0A
转速:2900 \pm 200rpm
Speed:2900 \pm 200rpm
静压: 100Pa
Static pressure: 100Pa
风量 \geq 2000m³/h
Air volume \geq 2000m³/h



LNF2201XQ7
试验电压:27V/13.5V
Test voltage:27V/13.5V
电流 \leq 7.0A/15.0A
Current \leq 7.0A/15.0A
转速:2900 \pm 200rpm
Speed:2900 \pm 200rpm
静压: 100Pa
Static pressure: 100Pa
风量 \geq 2000m³/h
Air volume \geq 2000m³/h

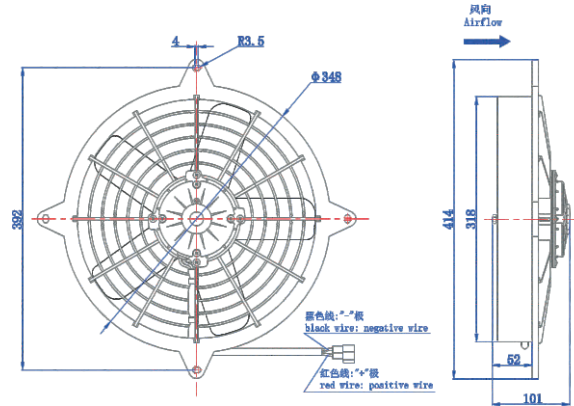


LNF22019
试验电压:27V
Test voltage:27V
电流 \leq 90A
Current \leq 90A
转速:2800 \pm 200rpm
Speed:2800 \pm 200rpm
静压: 100Pa
Static pressure: 100Pa
风量 \geq 2000m³/h
Air volume \geq 2000m³/h

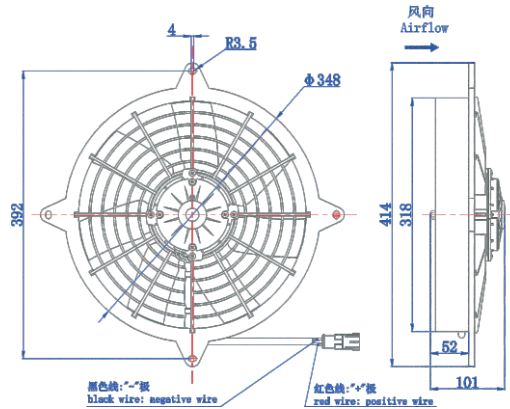
本图册中所列产品图片、外观及技术参数均以实物为准



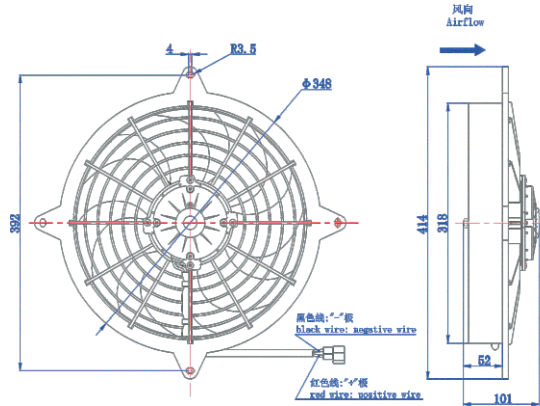
冷凝风机 Condenser fan



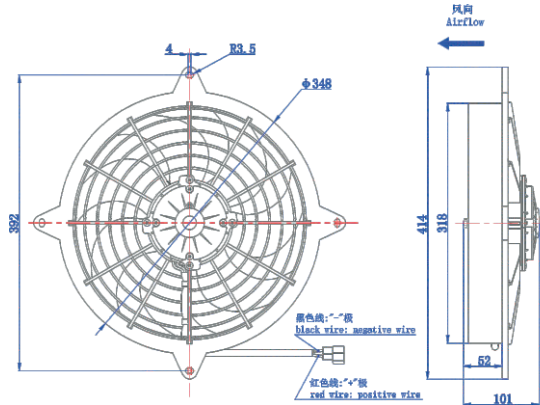
LNF2201XJ5
试验电压:27V/13.5V
Test voltage:27V/13.5V
电流 \leq 7.5A/14.5A
Current \leq 7.5A/14.5A
转速:2800 \pm 200rpm
Speed:2800 \pm 200rpm
静压:100Pa
Static pressure:100Pa
风量 \geq 2000m³/h
Air volume \geq 2000m³/h



LNF2201XJ7
试验电压:27V/13.5V
Test voltage:27V/13.5V
电流 \leq 8.0A/15.0A
Current \leq 8.0A/15.0A
转速:2900 \pm 200rpm
Speed:2900 \pm 200rpm
静压:100Pa
Static pressure:100Pa
风量 \geq 2000m³/h
Air volume \geq 2000m³/h



LNF2201XJQ7
试验电压:27V/13.5V
Test voltage:27V/13.5V
电流 \leq 7.0A/15.0A
Current \leq 7.0A/15.0A
转速:2900 \pm 200rpm
Speed:2900 \pm 200rpm
静压:100Pa
Static pressure:100Pa
风量 \geq 2000m³/h
Air volume \geq 2000m³/h

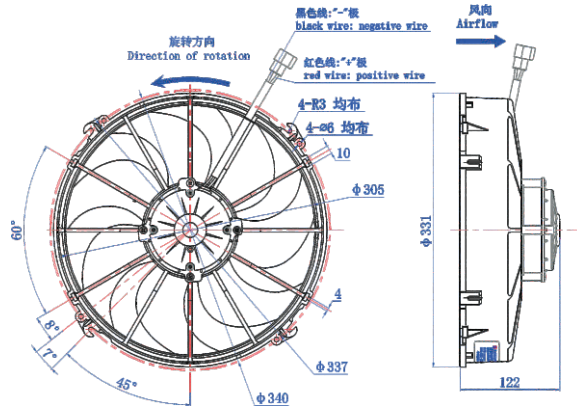


LNF2201JQ7
试验电压:27V/13.5V
Test voltage:27V/13.5V
电流 \leq 7.0A/15.0A
Current \leq 7.0A/15.0A
转速:2900 \pm 200rpm
Speed:2900 \pm 200rpm
静压:100Pa
Static pressure:100Pa
风量 \geq 2000m³/h
Air volume \geq 2000m³/h

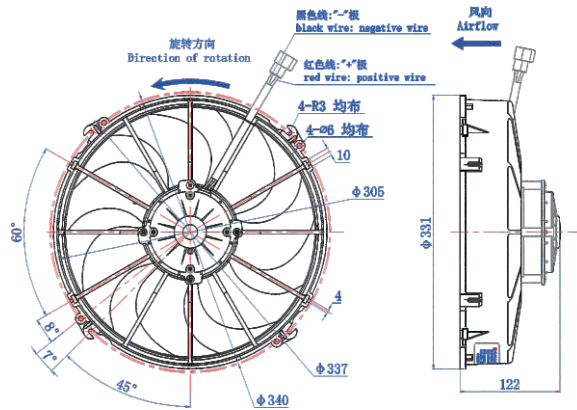
本图册中所列产品图片、外观及技术参数均以实物为准



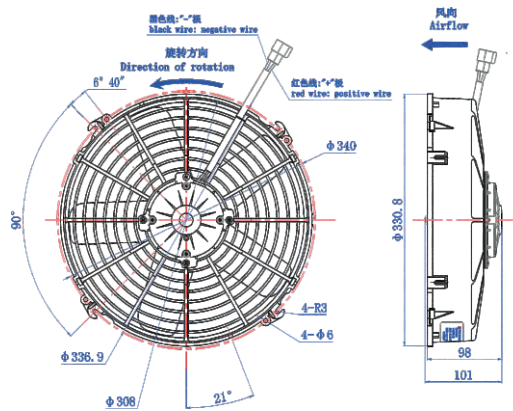
冷凝风机 Condenser fan



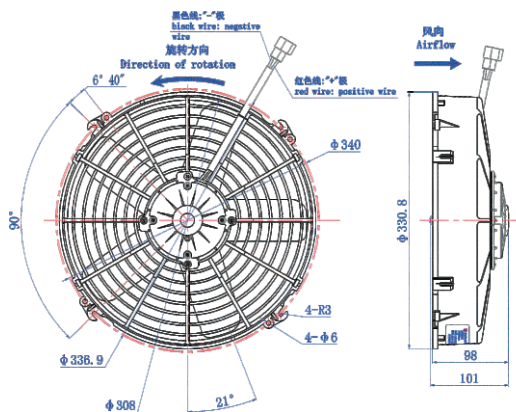
LNF2201NXQ7
试验电压:27V/13.5V
Test voltage:27V/13.5V
电流 \leq 10.5A/22.0A
Current \leq 10.5A/22.0A
转速:3300 \pm 200rpm
Speed:3300 \pm 200rpm
静压: 100Pa
Static pressure: 100Pa
风量 \geq 2600m³/h
Air volume \geq 2600m³/h



LNF2201NQ7
试验电压:27V/13.5V
Test voltage:27V/13.5V
电流 \leq 10.5A/22.0A
Current \leq 10.5A/22.0A
转速:3300 \pm 200rpm
Speed:3300 \pm 200rpm
静压: 100Pa
Static pressure: 100Pa
风量 \geq 2600m³/h
Air volume \geq 2600m³/h



LNF2201S
试验电压:27V/13.5V
Test voltage:27V/13.5V
电流 \leq 7.5A/14.5A
Current \leq 7.5A/14.5A
转速:3000 \pm 200rpm
Speed:3000 \pm 200rpm
静压: 100Pa
Static pressure: 100Pa
风量 \geq 2000m³/h
Air volume \geq 2000m³/h

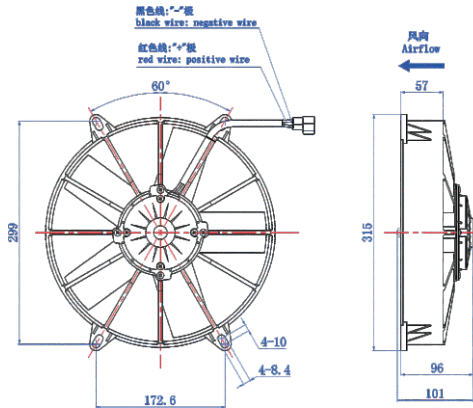


LNF2201SX
试验电压:27V/13.5V
Test voltage:27V/13.5V
电流 \leq 7.5A/14.5A
Current \leq 7.5A/14.5A
转速:3000 \pm 200rpm
Speed:3000 \pm 200rpm
静压: 100Pa
Static pressure: 100Pa
风量 \geq 2000m³/h
Air volume \geq 2000m³/h

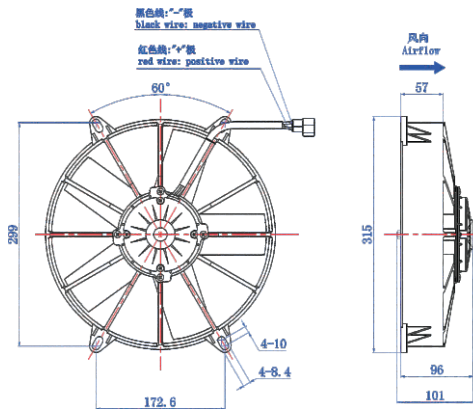
本图册中所列产品图片、外观及技术参数均以实物为准



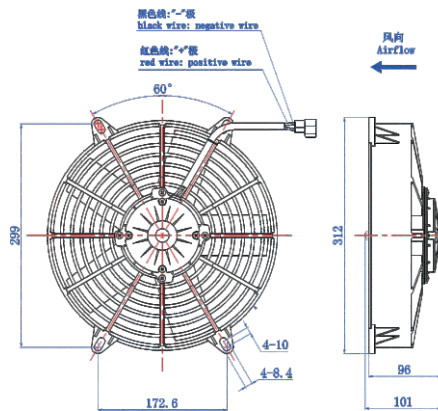
冷凝风机 Condenser fan



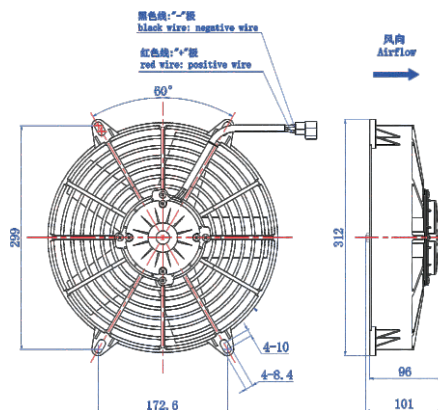
LNF2202
试验电压:27V/13.5V
Test voltage:27V/13.5V
电流 \leq 7.5A/14.5A
Current \leq 7.5A/14.5A
转速:2900 \pm 200rpm
Speed:2900 \pm 200rpm
静压:100Pa
Static pressure:100Pa
风量 \geq 1800m³/h
Air volume \geq 1800m³/h



LNF2202X
试验电压:27V/13.5V
Test voltage:27V/13.5V
电流 \leq 7.5A/14.5A
Current \leq 7.5A/14.5A
转速:2900 \pm 200rpm
Speed:2900 \pm 200rpm
静压:100Pa
Static pressure:100Pa
风量 \geq 1800m³/h
Air volume \geq 1800m³/h



LNF2202S
试验电压:27V/13.5V
Test voltage:27V/13.5V
电流 \leq 7.5A/14.5A
Current \leq 7.5A/14.5A
转速:2900 \pm 200rpm
Speed:2900 \pm 200rpm
静压:100Pa
Static pressure:100Pa
风量 \geq 1800m³/h
Air volume \geq 1800m³/h

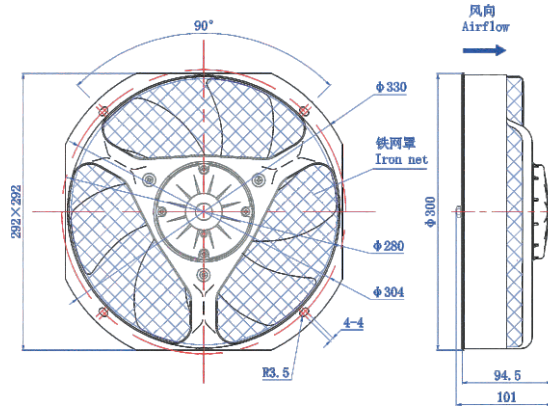


LNF2202SX
试验电压:27V/13.5V
Test voltage:27V/13.5V
电流 \leq 7.5A/14.5A
Current \leq 7.5A/14.5A
转速:2900 \pm 200rpm
Speed:2900 \pm 200rpm
静压:100Pa
Static pressure:100Pa
风量 \geq 1800m³/h
Air volume \geq 1800m³/h

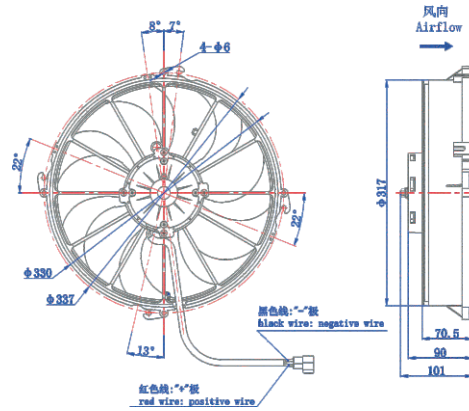
本图册中所列产品图片、外观及技术参数均以实物为准



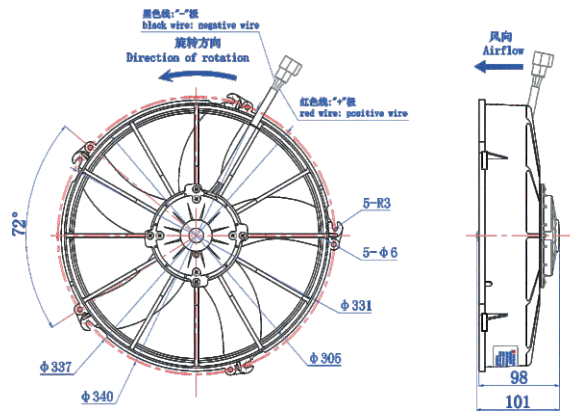
冷凝风机 Condenser fan



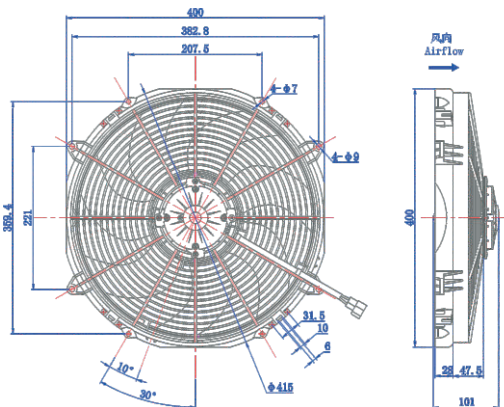
LNF253
 试验电压:27V/13.5V
 Test voltage:27V/13.5V
 电流≤8.5A/16.5A
 Current≤8.5A/16.5A
 转速:2800±200rpm
 Speed:2800±200rpm
 静压:100Pa
 Static pressure:100Pa
 风量≥1800m³/h
 Air volume≥1800m³/h



LNF2781X
 试验电压:27V/13.5V
 Test voltage:27V/13.5V
 电流≤8.0A/16.0A
 Current≤8.0A/16.0A
 转速:2800±200rpm
 Speed:2800±200rpm
 静压:100Pa
 Static pressure:100Pa
 风量≥1800m³/h
 Air volume≥1800m³/h



LNF2201WQ5
 试验电压:27V/13.5V
 Test voltage:27V/13.5V
 电流≤8.5A/15.5A
 Current≤8.5A/15.5A
 转速:2800±200rpm
 Speed:2800±200rpm
 静压:100Pa
 Static pressure:100Pa
 风量≥2000m³/h
 Air volume≥2000m³/h

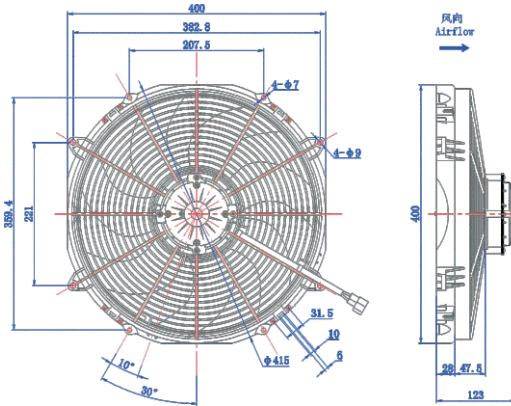


LNF2216A
 试验电压:27V/13.5V
 Test voltage:27V/13.5V
 电流≤13.5A/26.5A
 Current≤13.5A/26.5A
 转速:2500±200rpm
 Speed:2500±200rpm
 静压:100Pa
 Static pressure:100Pa
 风量≥2600m³/h
 Air volume≥2600m³/h

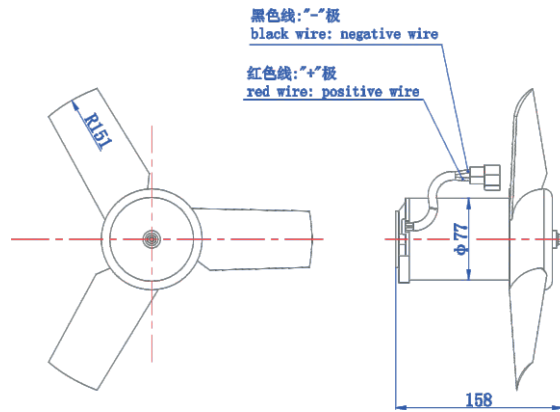
本图册中所列产品图片、外观及技术参数均以实物为准



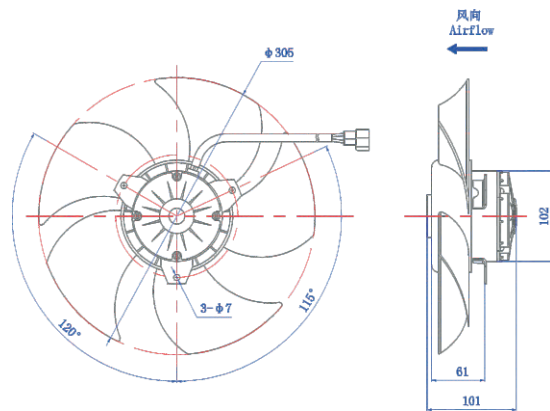
冷凝风机 Condenser fan



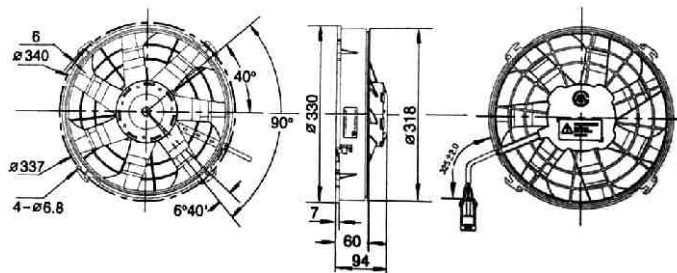
LNF2216N
试验电压:27V/13.5V
Test voltage:27V/13.5V
电流≤12.0A/24.0A
Current≤12.0A/24.0A
转速:2500±200rpm
Speed:2500±200rpm
静压:100Pa
Static pressure:100Pa
风量≥2600m³/h
Air volume≥2600m³/h



LNF25013
试验电压:27V/13.5V
Test voltage:27V/13.5V
电流≤5.0A/12.0A
Current≤5.0A/12.0A
转速:2700±200rpm
Speed:2700±200rpm
静压:100Pa
Static pressure:100Pa
风量≥800m³/h
Air volume≥800m³/h



LNF256
试验电压:27V/13.5V
Test voltage:27V/13.5V
电流≤6.0A/14.0A
Current≤6.0A/14.0A
转速:2600±200rpm
Speed:2600±200rpm
静压:100Pa
Static pressure:100Pa
风量≥1800m³/h
Air volume≥1800m³/h

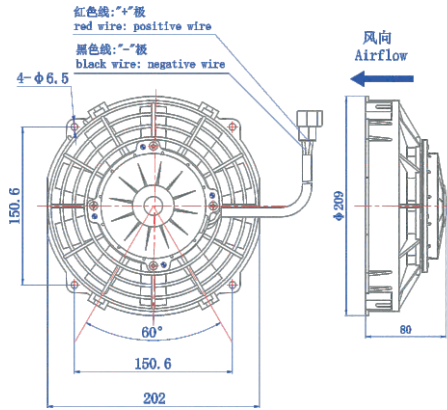


LNF2201W
试验电压:26V
Test voltage:26V
静压:100Pa
Static pressure:100Pa
风量≥2500/h
Air volume≥2500/h
电流≤13.5A
Current≤13.5A

本图册中所列产品图片、外观及技术参数均以实物为准

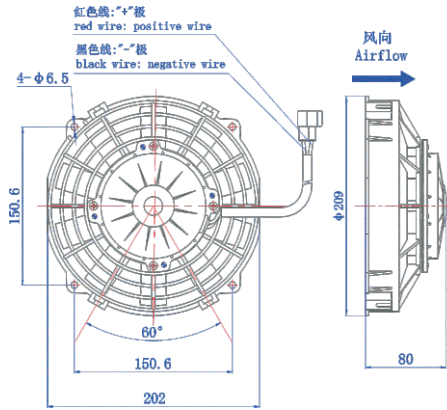


冷冻冷藏车 Refrigerator Fan



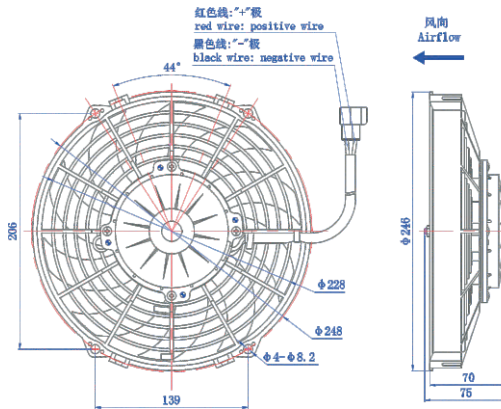
LNF2208B

试验电压:27V/13.5V
Test voltage:27V/13.5V
电流≤4.0A/7.0A
Current≤4.0A/7.0A
转速:3100±200rpm
Speed:3100±200rpm
静压:100Pa
Static pressure:100Pa
风量≥1000m³/h
Air volume≥1000m³/h



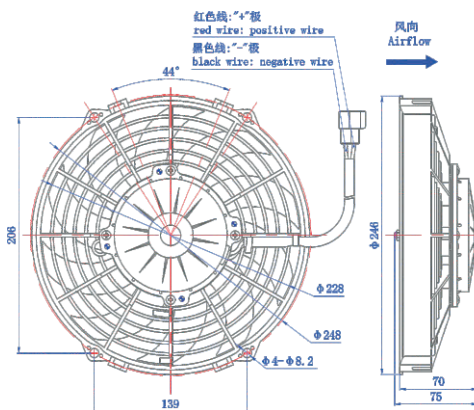
LNF2208BX

试验电压:27V/13.5V
Test voltage:27V/13.5V
电流≤4.0A/7.0A
Current≤4.0A/7.0A
转速:3100±200rpm
Speed:3100±200rpm
静压:100Pa
Static pressure:100Pa
风量≥1000m³/h
Air volume≥1000m³/h



LNF2209B

试验电压:27V/13.5V
Test voltage:27V/13.5V
电流≤5.0A/7.5A
Current≤5.0A/7.5A
转速:3000±200rpm
Speed:3000±200rpm
静压:100Pa
Static pressure:100Pa
风量≥1200m³/h
Air volume≥1200m³/h



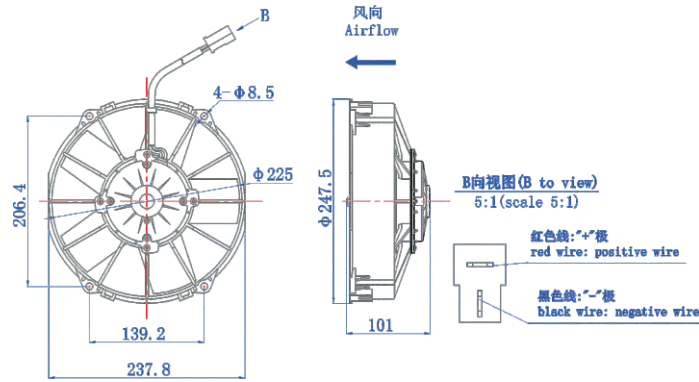
LNF2209BX

试验电压:27V/13.5V
Test voltage:27V/13.5V
电流≤5.0A/7.5A
Current≤5.0A/7.5A
转速:3000±200rpm
Speed:3000±200rpm
静压:100Pa
Static pressure:100Pa
风量≥1200m³/h
Air volume≥1200m³/h

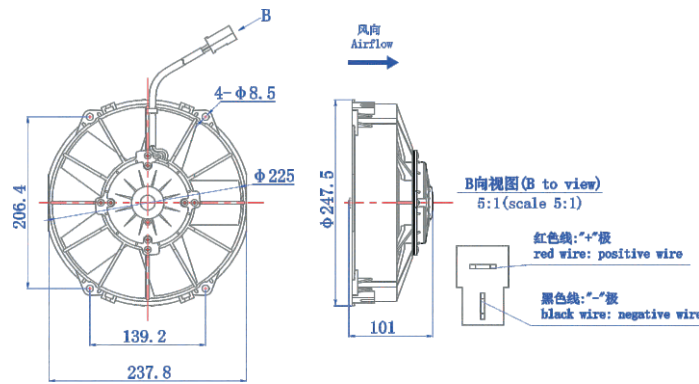
本图册中所列产品图片、外观及技术参数均以实物为准



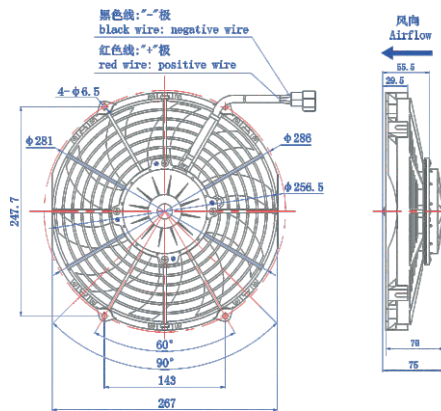
冷冻冷藏车 Refrigerator Fan



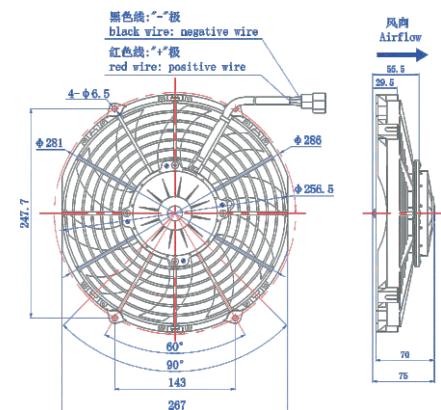
LNF2209A
试验电压:27V/13.5V
Test voltage:27V/13.5V
电流≤4.0A
Current≤4.0A
转速:3200±200rpm
Speed:3200±200rpm
静压:100Pa
Static pressure:100Pa
风量≥1300m³/h
Air volume≥1300m³/h



LNF2209AX
试验电压:27V
Test voltage:27V
电流≤4.0A
Current≤4.0A
转速:3200±200rpm
Speed:3200±200rpm
静压:100Pa
Static pressure:100Pa
风量≥1300m³/h
Air volume≥1300m³/h



LNF2210B
试验电压:27V/13.5V
Test voltage:27V/13.5V
电流≤5.5A/8.0A
Current≤5.5A/8.0A
转速:2900±200rpm
Speed:2900±200rpm
静压:100Pa
Static pressure:100Pa
风量≥1400m³/h
Air volume≥1400m³/h

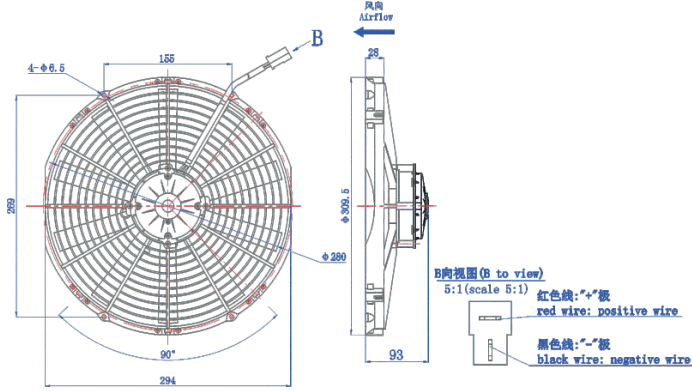


LNF2210BX
试验电压:27V/13.5V
Test voltage:27V/13.5V
电流≤5.5A/8.0A
Current≤5.5A/8.0A
转速:2900±200rpm
Speed:2900±200rpm
静压:100Pa
Static pressure:100Pa
风量≥1400m³/h
Air volume≥1400m³/h

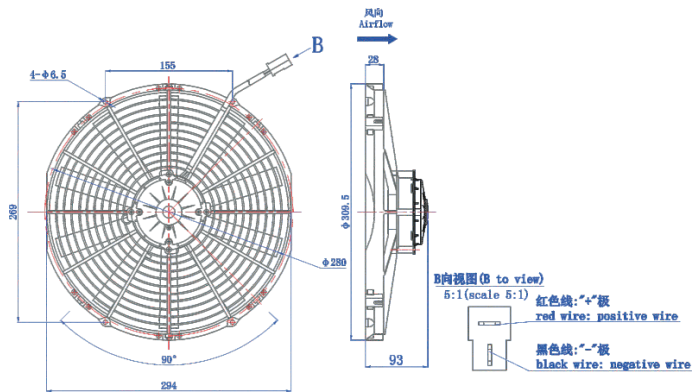
本图册中所列产品图片、外观及技术参数均以实物为准



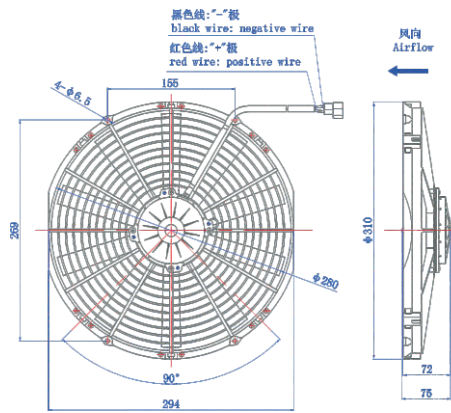
冷冻冷藏车 Refrigerator Fan



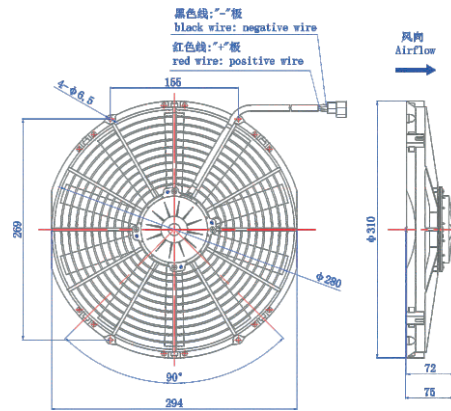
LNF2211
试验电压:27V/13.5V
Test voltage:27V/13.5V
电流≤8.0A/17.0A
Current≤8.0A/17.0A
转速:3000±200rpm
Speed:3000±200rpm
静压:100Pa
Static pressure:100Pa
风量≥1500m³/h
Air volume≥1500m³/h



LNF2211X
试验电压:27V/13.5V
Test voltage:27V/13.5V
电流≤8.0A/17.0A
Current≤8.0A/17.0A
转速:3000±200rpm
Speed:3000±200rpm
静压:100Pa
Static pressure:100Pa
风量≥1500m³/h
Air volume≥1500m³/h



LNF2211B
试验电压:27V/13.5V
Test voltage:27V/13.5V
电流≤6.5A/10.5A
Current≤6.5A/10.5A
转速:2800±200rpm
Speed:2800±200rpm
静压:100Pa
Static pressure:100Pa
风量≥1400m³/h
Air volume≥1400m³/h

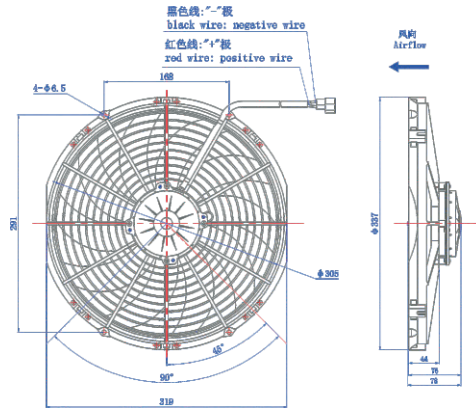


LNF2211BX
试验电压:27V/13.5V
Test voltage:27V/13.5V
电流≤6.5A/10.5A
Current≤6.5A/10.5A
转速:2800±200rpm
Speed:2800±200rpm
静压:100Pa
Static pressure:100Pa
风量≥1400m³/h
Air volume≥1400m³/h

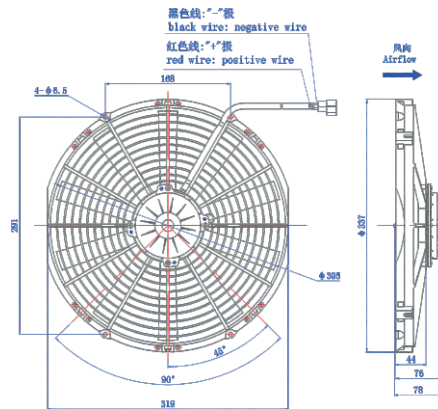
本图册中所列产品图片、外观及技术参数均以实物为准



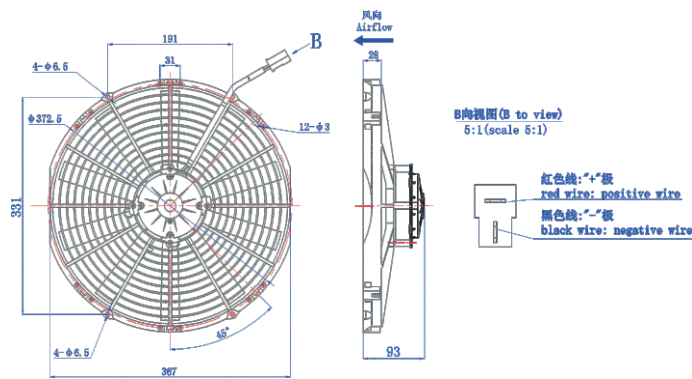
冷冻冷藏车 Refrigerator Fan



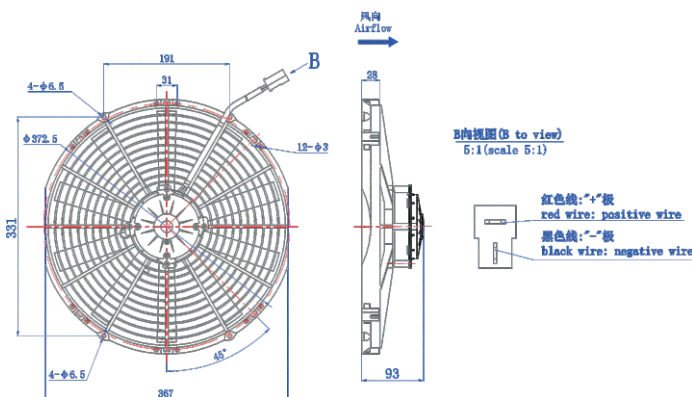
LNF2212B
试验电压:27V/13.5V
Test voltage:27V/13.5V
电流≤7.5A/12.0A
Current≤7.5A/12.0A
转速:2700±200rpm
Speed:2700±200rpm
静压:100Pa
Static pressure:100Pa
风量≥1700m³/h
Air volume≥1700m³/h



LNF2212BX
试验电压:27V/13.5V
Test voltage:27V/13.5V
电流≤7.5A/12.0A
Current≤7.5A/12.0A
转速:2700±200rpm
Speed:2700±200rpm
静压:100Pa
Static pressure:100Pa
风量≥1700m³/h
Air volume≥1700m³/h



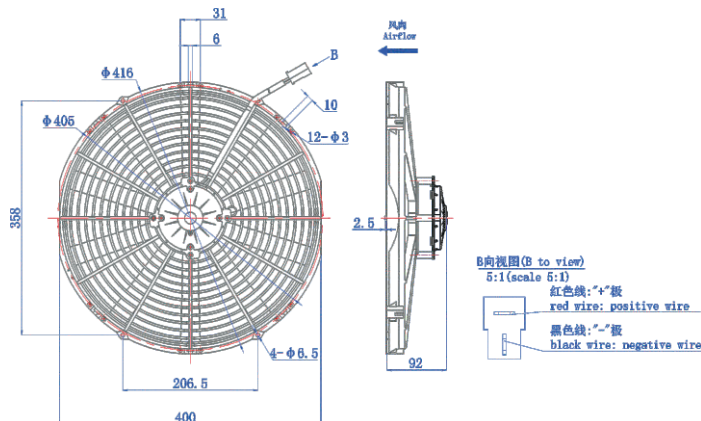
LNF2214
试验电压:27V/13.5V
Test voltage:27V/13.5V
电流≤10.5A/18.5A
Current≤10.5A/18.5A
转速:3000±200rpm
Speed:3000±200rpm
静压:100Pa
Static pressure:100Pa
风量≥2400m³/h
Air volume≥2400m³/h



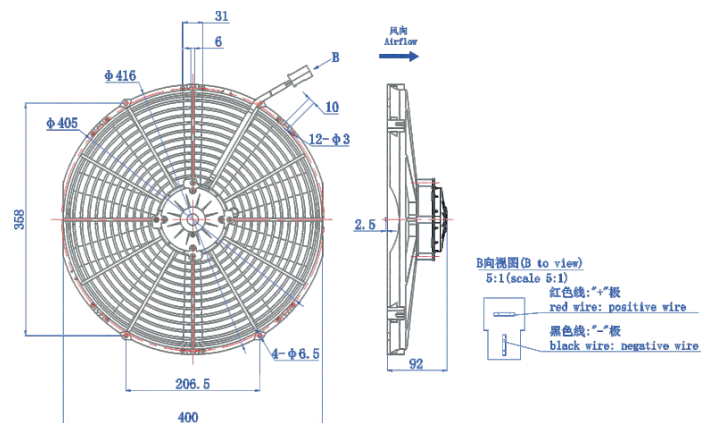
LNF2214X
试验电压:27V/13.5V
Test voltage:27V/13.5V
电流≤10.5A/18.5A
Current≤10.5A/18.5A
转速:3000±200rpm
Speed:3000±200rpm
静压:100Pa
Static pressure:100Pa
风量≥2400m³/h
Air volume≥2400m³/h

本图册中所列产品图片、外观及技术参数均以实物为准

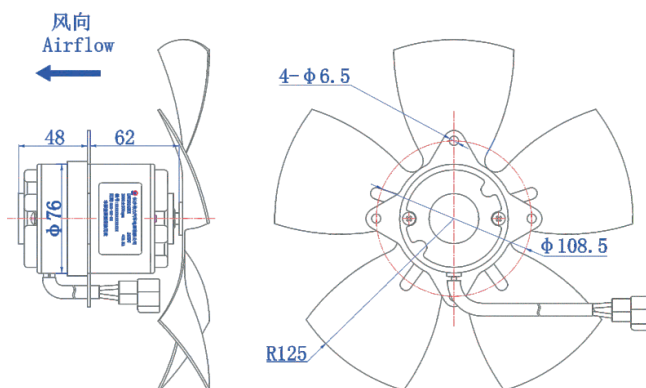
冷冻冷藏车 Refrigerator Fan



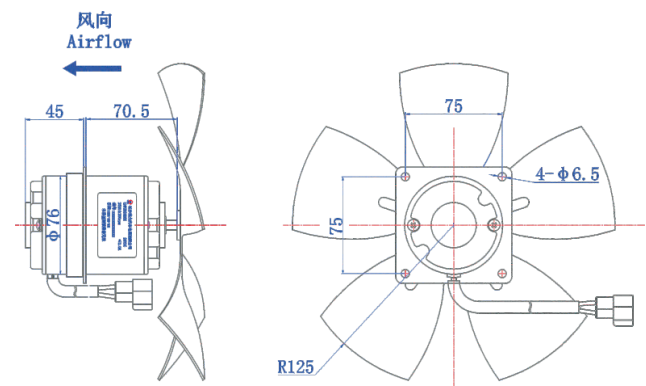
LNF2216
试验电压:27V/13.5V
Test voltage:27V/13.5V
电流≤11.5A/20.0A
Current≤11.5A/20.0A
转速:2900±200rpm
Speed:2900±200rpm
静压: 100Pa
Static pressure: 100Pa
风量≥2600m³/h
Air volume≥2600m³/h



LNF2216X
试验电压:27V/13.5V
Test voltage:27V/13.5V
电流≤11.5A/20.0A
Current≤11.5A/20.0A
转速:2900±200rpm
Speed:2900±200rpm
静压: 100Pa
Static pressure: 100Pa
风量≥2600m³/h
Air volume≥2600m³/h

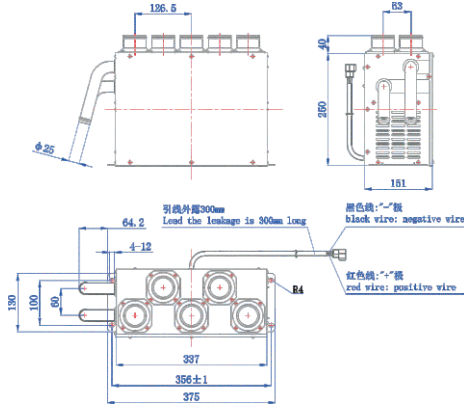


LNF2924H5X
试验电压:27V/13.5V
Test voltage:27V/13.5V
电流≤6.0A/10.0A
Current≤6.0A/10.0A
转速:2700±200rpm
Speed:2700±200rpm
静压: 100Pa
Static pressure: 100Pa
风量≥1800m³/h
Air volume≥1800m³/h



LNF2924H8X
试验电压:27V/13.5V
Test voltage:27V/13.5V
电流≤6.0A/10.0A
Current≤6.0A/10.0A
转速:2700±200rpm
Speed:2700±200rpm
静压: 100Pa
Static pressure: 100Pa
风量≥1800m³/h
Air volume≥1800m³/h

本图册中所列产品图片、外观及技术参数均以实物为准



CS2525

试验电压:27V/13.5V

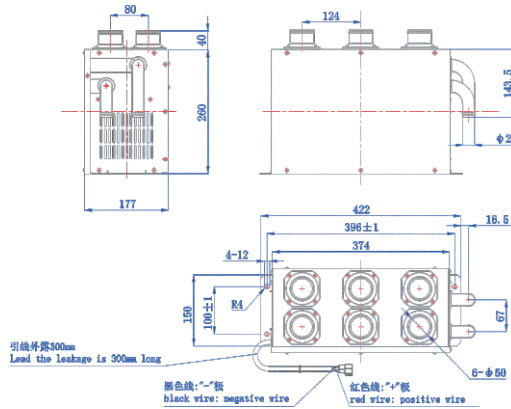
Test voltage:27V/13.5V

电机功率:100W

Motor Power: 100W

排风量 ≥ 500m³/h

Exhausting quantity ≥ 500m³/h



CS2625

试验电压:27V/13.5V

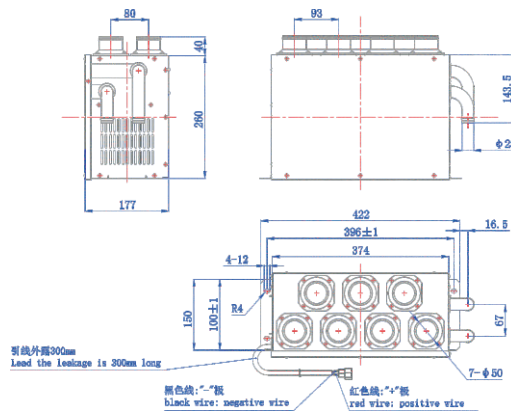
Test voltage:27V/13.5V

电机功率:130W

Motor Power: 130W

排风量 ≥ 600m³/h

Exhausting quantity ≥ 600m³/h



CS2725

试验电压:27V/13.5V

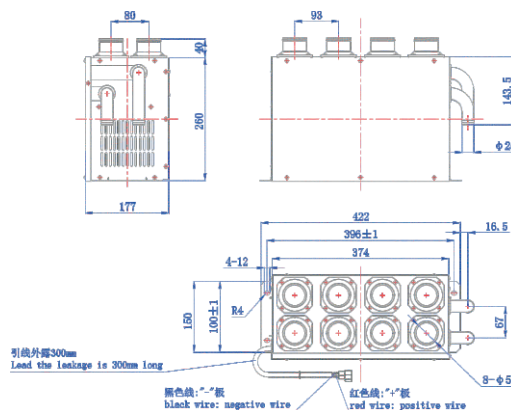
Test voltage:27V/13.5V

电机功率:180W

Motor Power: 180W

排风量 ≥ 700m³/h

Exhausting quantity ≥ 700m³/h



CS2825

试验电压:27V/13.5V

Test voltage:27V/13.5V

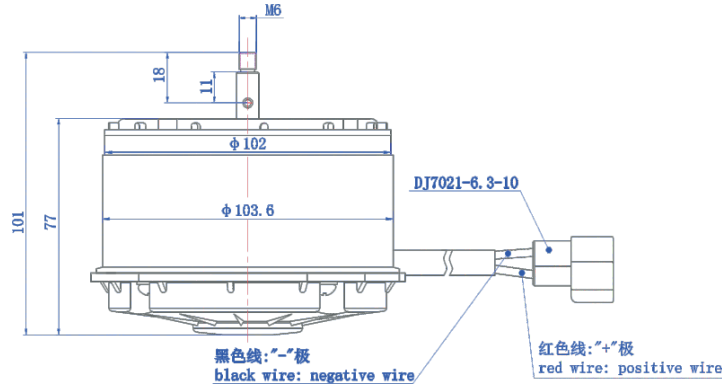
电机功率:180W

Motor Power: 180W

排风量 ≥ 700m³/h

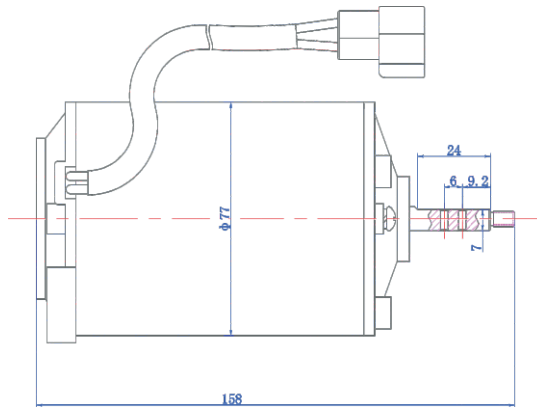
Exhausting quantity ≥ 700m³/h

本图册中所列产品图片、外观及技术参数均以实物为准



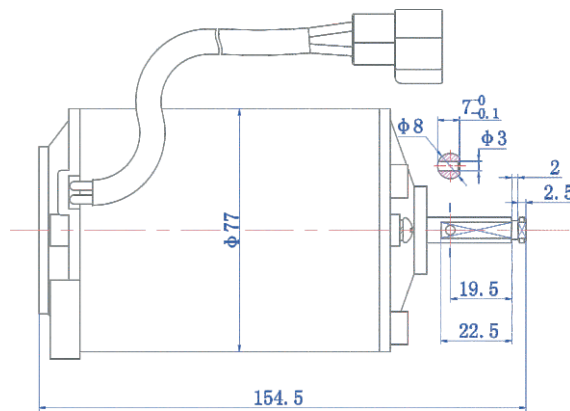
LD2201

试验电压:27V/13.5V
Test voltage:27V/13.5V
电流 $\leq 2.0A/3.5A$
Current $\leq 2.0A/3.5A$
转速:3500 \pm 200rpm
Speed:3500 \pm 200rpm



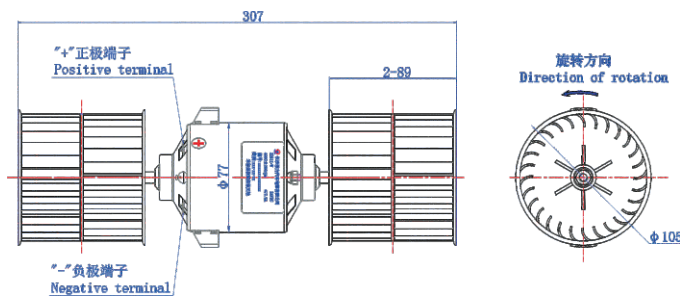
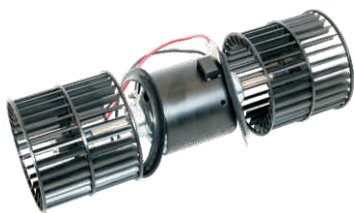
LD2501

试验电压:27V/13.5V
Test voltage:27V/13.5V
电流 $\leq 1.5A/2.5A$
Current $\leq 1.5A/2.5A$
转速:3200 \pm 200rpm
Speed:3200 \pm 200rpm



LD2501B

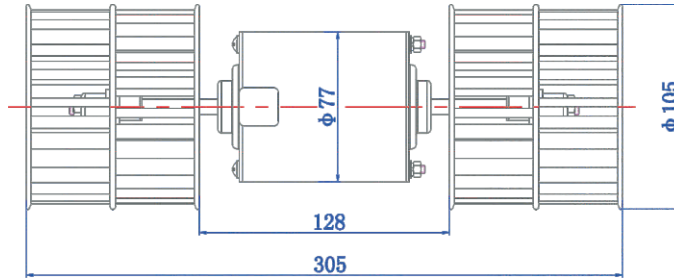
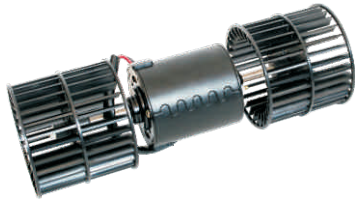
试验电压:27V/13.5V
Test voltage:27V/13.5V
电流 $\leq 1.5A/2.5A$
Current $\leq 1.5A/2.5A$
转速:3200 \pm 200rpm
Speed:3200 \pm 200rpm



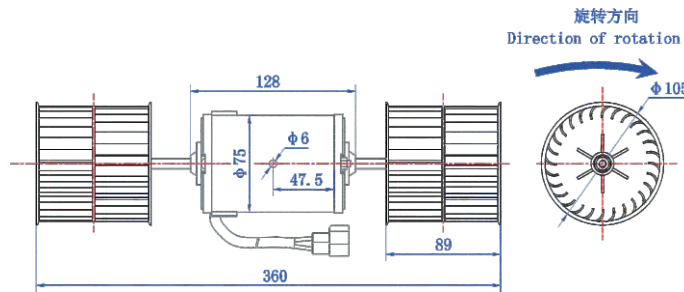
ZD211-W

试验电压:27V/13.5V
Test voltage:27V/13.5V
电流 $\leq 9.0A/18.0A$
Current $\leq 9.0A/18.0A$
转速:4200 \pm 200rpm
Speed:4200 \pm 200rpm

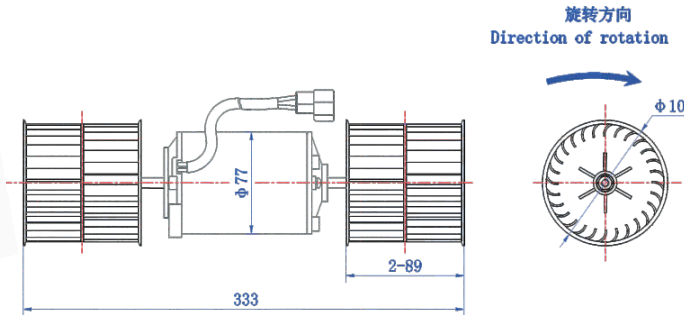
本图册中所列产品图片、外观及技术参数均以实物为准



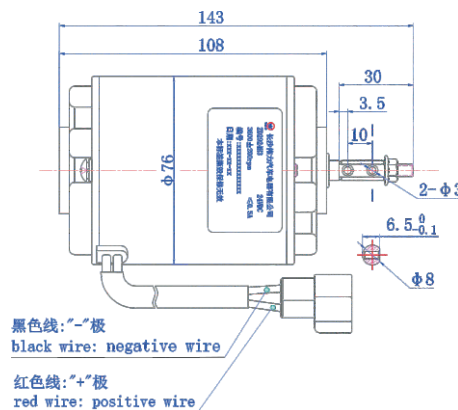
ZD283B-W
 试验电压:27V/13.5V
 Test voltage:27V/13.5V
 电流 $\leq 9.0A/15.0A$
 Current $\leq 9.0A/15.0A$
 转速:4200 \pm 200rpm
 Speed:4200 \pm 200rpm
 静压: 100Pa
 Static pressure: 100Pa
 风量 $\geq 1000m^3/h$
 Air volume $\geq 1000m^3/h$



ZD292L-W
 试验电压:27V/13.5V
 Test voltage:27V/13.5V
 电流 $\leq 10.0A/22.0A$
 Current $\leq 10.0A/22.0A$
 转速:3900 \pm 200rpm
 Speed:3900 \pm 200rpm
 静压: 100Pa
 Static pressure: 100Pa
 风量 $\geq 850m^3/h$
 Air volume $\geq 850m^3/h$

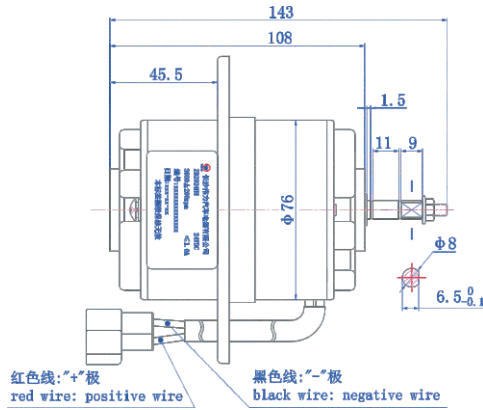


ZD2501-W
 试验电压:27V/13.5V
 Test voltage:27V/13.5V
 电流 $\leq 9.0A/20.0A$
 Current $\leq 9.0A/20.0A$
 转速:3600 \pm 200rpm
 Speed:3600 \pm 200rpm
 静压: 100Pa
 Static pressure: 100Pa
 风量 $\geq 1000/h$
 Air volume $\geq 1000/h$



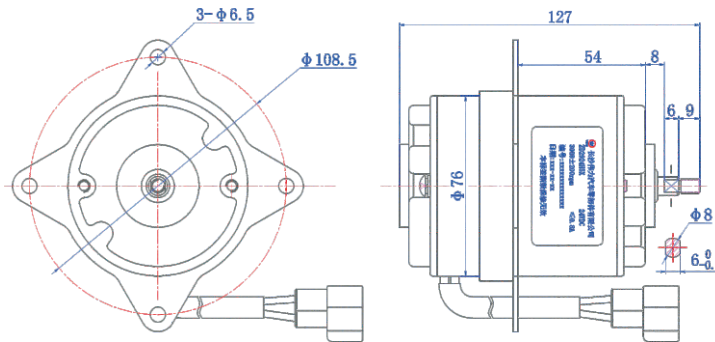
ZD2924H3
 试验电压:27V/13.5V
 Test voltage:27V/13.5V
 电流 $\leq 1.5A/2.0A$
 Current $\leq 1.5A/2.0A$
 转速:3200 \pm 200rpm
 Speed:3200 \pm 200rpm

本图册中所列产品图片、外观及技术参数均以实物为准



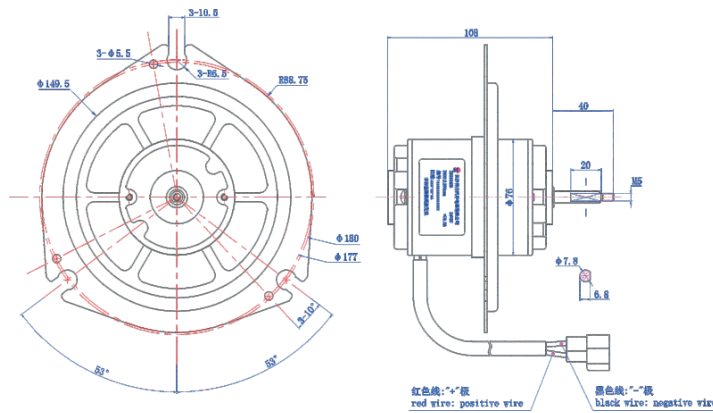
ZD2924H4

试验电压:27V/13.5V
Test voltage:27V/13.5V
电流 \leq 1.5A/3.0A
Current \leq 1.5A/3.0A
转速:3200 \pm 200rpm
Speed:3200 \pm 200rpm



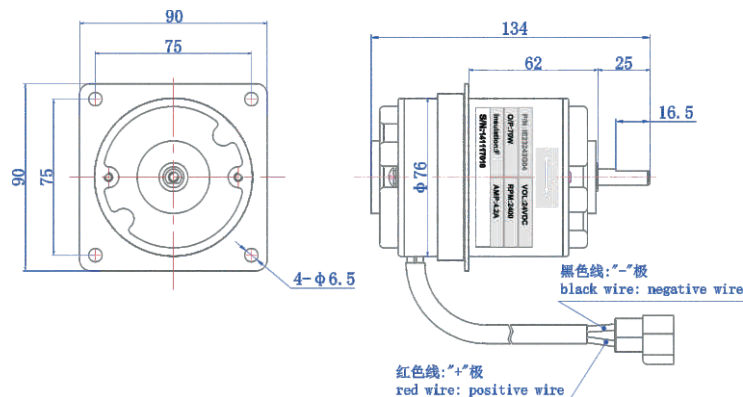
ZD2924H5

试验电压:27V/13.5V
Test voltage:27V/13.5V
电流 \leq 1.0A/2.0A
Current \leq 1.0A/2.0A
转速:3100 \pm 200rpm
Speed:3100 \pm 200rpm



ZD2924H6

试验电压:27V/13.5V
Test voltage:27V/13.5V
电流 \leq 1.5A/3.0A
Current \leq 1.5A/3.0A
转速:3200 \pm 200rpm
Speed:3200 \pm 200rpm

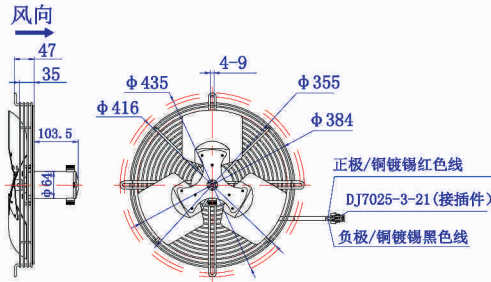


ZD2924H7

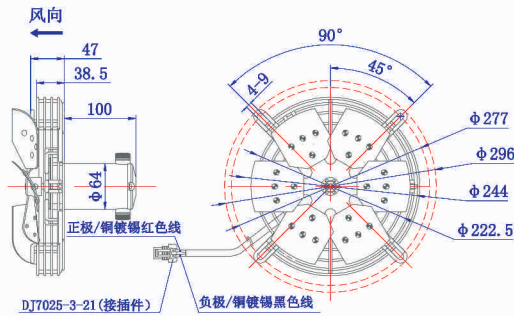
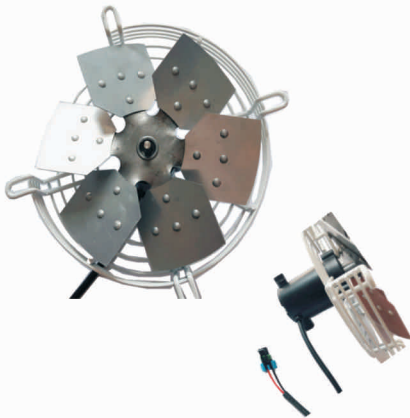
试验电压:27V/13.5V
Test voltage:27V/13.5V
电流 \leq 1.5A/2.0A
Current \leq 1.5A/2.0A
转速:3200 \pm 200rpm
Speed:3200 \pm 200rpm

本图册中所列产品图片、外观及技术参数均以实物为准

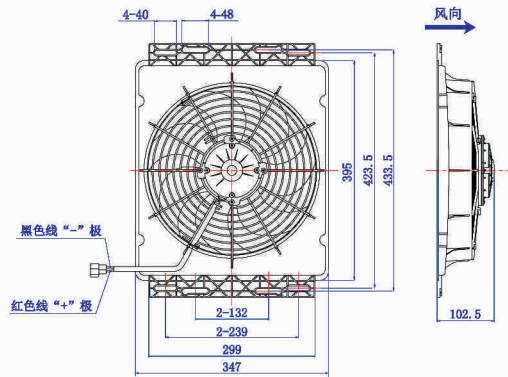
冷凝风机 Condenser fan



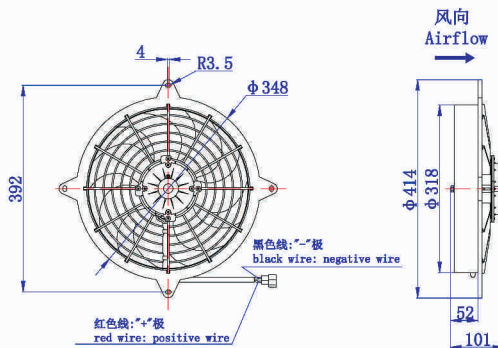
LNF264
 试验电压:24V/14V
 Test voltage:24V/14V
 电流≤7.5A/15.0A
 Current≤7.5A/15.0A
 转速:2400±200rpm
 Spccd:2400±200rpm



ZNF264
 试验电压:24V/14V
 Test voltage:24V/14V
 电流≤6.0A/13.0A
 Current≤6.0A/13.0A
 转速:2600±200rpm
 Spccd:2600±200rpm

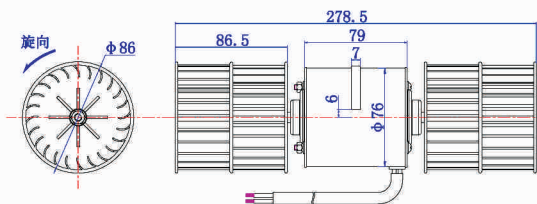


LNF2451
 试验电压:27V/13.5V
 Test voltage:27V/13.5V
 电流≤7.0A/14.0A
 Current≤7.0A/14.0A
 转速:2900±200rpm
 Spccd:2900±200rpm
 静压:100Pa
 Static pressure:100Pa
 风量≥2000/h
 Air volume≥2000/h

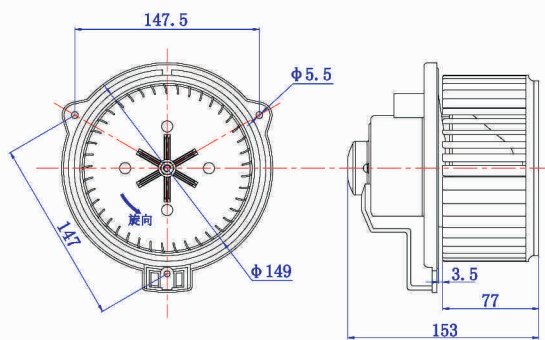


LNF2201DXJQ7
 试验电压:27V/13.5V
 Test voltage:27V/13.5V
 电流≤7.0A/15.0A
 Current≤7.0A/15.0A
 转速:2800±200rpm
 Spccd:2800±200rpm
 静压:100Pa
 Static pressure:100Pa
 风量≥1800/h
 Air volume≥1800/h

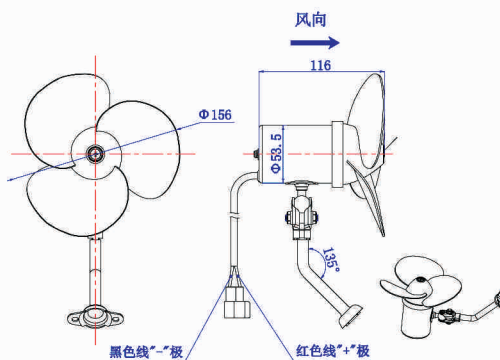
本图册中所列产品图片、外观及技术参数均以实物为准



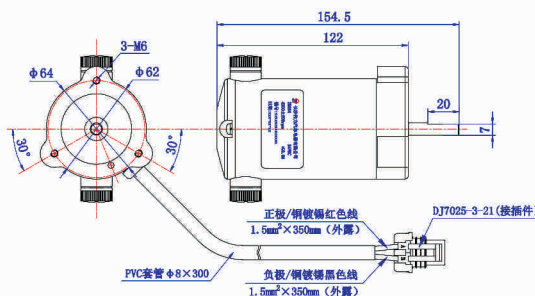
ZD29HL-W
试验电压:27V
Test voltage:27V
电流 $\leq 6.0A$
Current $\leq 6.0A$
转速:4500 ± 200 rpm
Spccd:4500 ± 200 rpm
静压:100Pa
Static pressure:100Pa
风量 $\geq 650/h$
Air volume $\geq 650/h$



ZHF156
试验电压:13.5V
Test voltage:13.5V
电流 $\leq 23.0A$
Current $\leq 23.0A$
转速:3500 ± 200 rpm
Spccd:3500 ± 200 rpm
静压:100Pa
Static pressure:100Pa
风量 $\geq 500/h$
Air volume $\geq 500/h$



LNF205
试验电压:27V
Test voltage:27V
电流 $\leq 0.3A$
Current $\leq 0.3A$
转速:3300 ± 200 rpm
Spccd:3300 ± 200 rpm



ZD264
试验电压:27V/13.5V
Test voltage:27V/13.5V
电流 $\leq 0.8A/1.5A$
Current $\leq 0.8A/1.5A$
转速:4200 ± 200 rpm
Spccd:4200 ± 200 rpm

本图册中所列产品图片、外观及技术参数均以实物为准

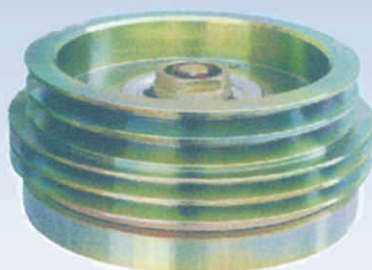


Changsha weili auto parts appliance co.,Ltd

CLUTCH



2A2B 260/210
FKX40、4NFCY



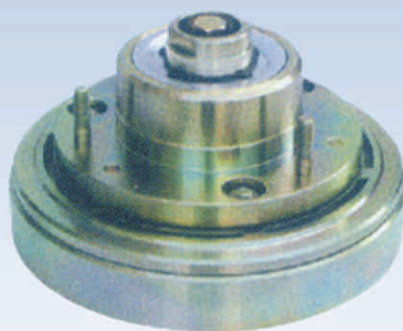
2A2B 230/210
FKX40、4NFCY



2B 210
FKX40、4NFCY



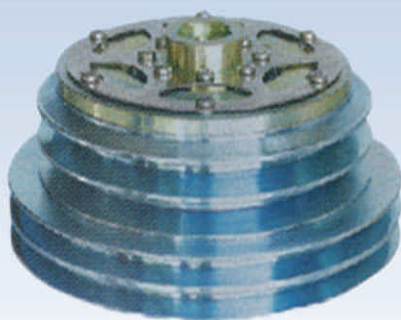
FKX40、4NFCY



FKX50、4NFCY



2A2B 280/230
FKX50、6NFCY



2A2B 260/220
BITZER F600Y



3B 230/205
BITZER F400Y



2A 226/2B 197
Thermo King X426



Changsha weili auto parts appliance co.,ltd

COMPRESSOR



FK 40



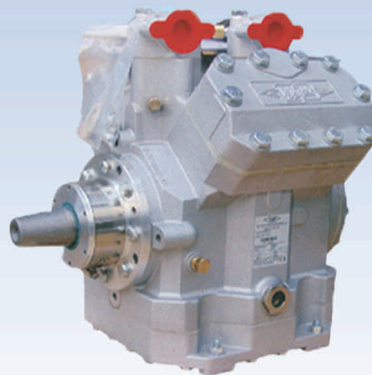
FKX40/655N(560/470/390)



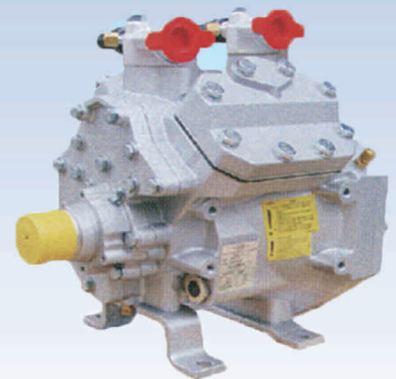
FKX50/980N(830/775/660)



Bitzer



Bitzer 4NFCY(4P-4T-4U)



Bitzer F400Y



AK40-470/560/655



Thermo King



Denso



Changsha weili auto parts appliance co.,ltd

CONTROL PANEL



SONGZ



SONGZ



SONGZ



JXB17A



JXB6



JX



Thermo King



Thermo King



Thermo King



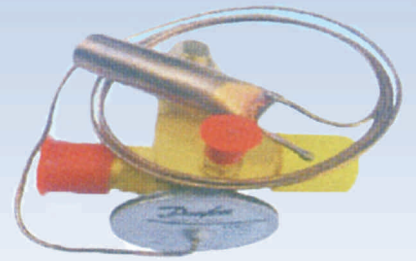
EXPANSION VALVE AND DRYER BOTTOLE



DANFOSS 9.6T



DANFOSS 8.5T



DANFOSS 6.2T



DANFOSS 4.6T



DANFOSS TEN



DANFOSS 3.1T



SONGZ



164Q



DML163



长沙市伟力汽车零部件有限公司

Changsha weili auto parts appliance co.,ltd

工厂地址：湖南长沙市天心区南托街道新兴科技产业园C3栋
Factory address: Bldg. 3, Zone C, Xinxing Science And Technology Industrial Park, Nantuo Street, Tianxin District, Changsha, Hunan

办公室电话Office telephone : 0086-731-82034997
销售部电话Sales telephone: 0086-731-82034998
手机Mobile phone: 186 7038 2782 186 7005 5980
传真Fax: 0086-731-88590086
QQ:14386818, 2178411712
网址Website: www.weiliparts.com
邮箱Email :14386818@qq.com, haoyang@weiliparts.com
微信公众号：长沙伟力WEILIPARTS



微信公众号